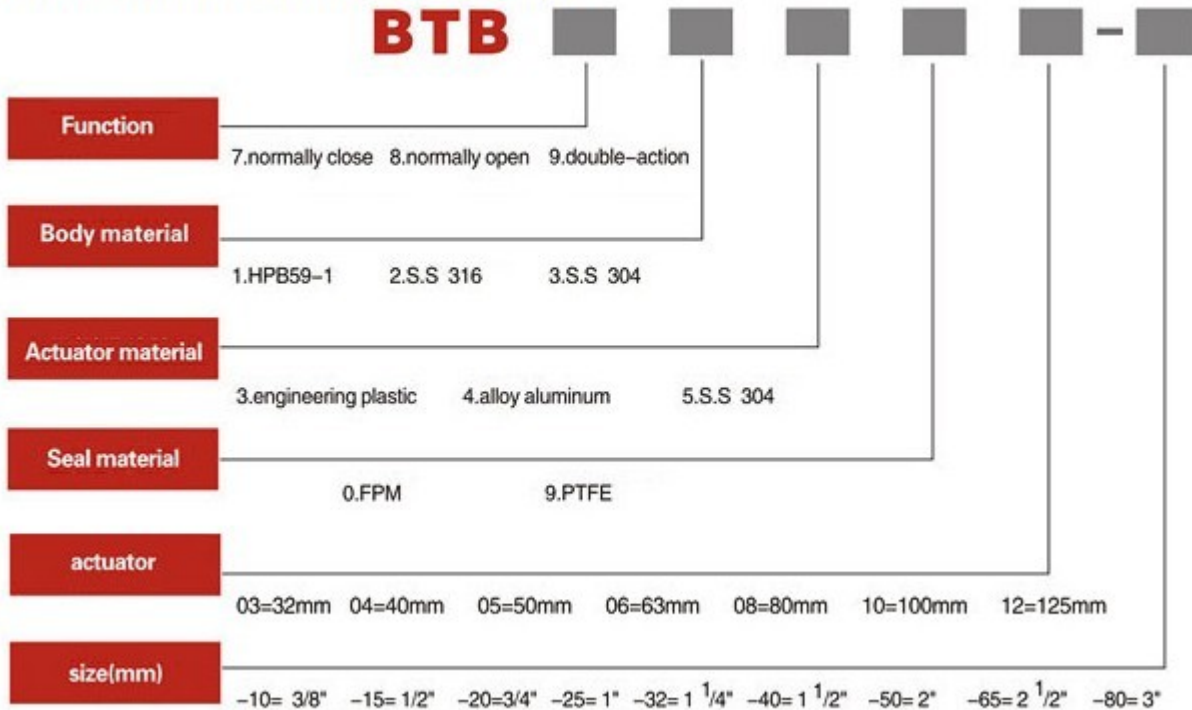


The model explanation of pneumatic angle seat valve:



Model: BTB7259/BTB7359****

Description:

Body material: S.S316/S.S304

Actuator material: S.S304

Seat seal: PTFE/FPM

Stem seal: PTFE/FPM

Piston seal: FPM/NBR

Technical parameter

Connection size: DN10—DN80

Thread: 3/8"—3"

Applicable medium: water, neutral gas or liquid, alcohol, oil, organic solvent, steam, lye and weak acid solution.

Temperature of medium: PTFE:-10℃—+200℃

FPM:-10℃—+100℃

Viscosity: max600mm²/s

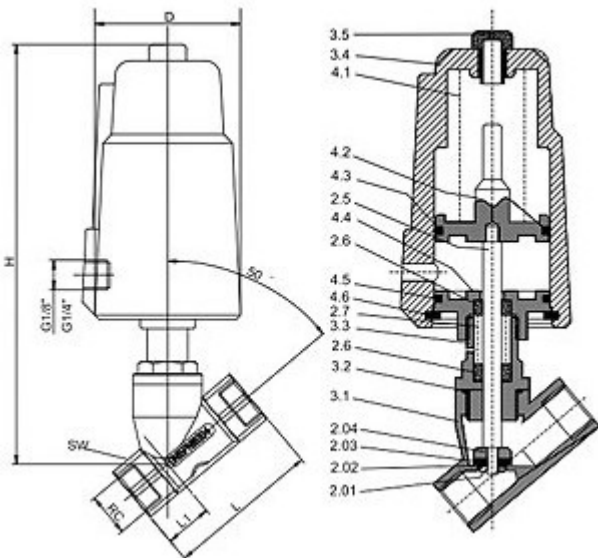
Downstream installing/Upstream installing

Controlling medium: air/neutral gas

Controlling pressure: 0.3—0.8MPa

Working pressure: 0—1.6MPa





Outline Dimension (mm)							
DN	RC	L	L1	SW	H	D	Actuator
10	3/8"	55	17	21	120	51	40
15	1/2"	70	21	26.5	138	51	40
20	3/4"	76	23	32	154	62	50
25	1"	90	25	40	168	62	50
32	1-1/4"	116	32	50	200	76	63
40	1-1/2"	116	32	55.5	215	92	80
50	2"	138	40	68.5	230	92	80
65	2-1/2"	168	51	85	268	117	100/125
80	3"	192	54	100	325	140	100/125

List of Parts		
2.01 bolt	3.1 body	4.1 spring
2.02 orifice plate seal	3.2 seal ring	4.2 piston
2.03 seal disc	3.3 screw connector	4.3 O ring
2.04 disc	3.4 cylinder	4.4 bonnet
2.5 stem	3.5 observation window	4.5 O ring
2.6 V sealing		4.6 bearing rin
2.7 spring		